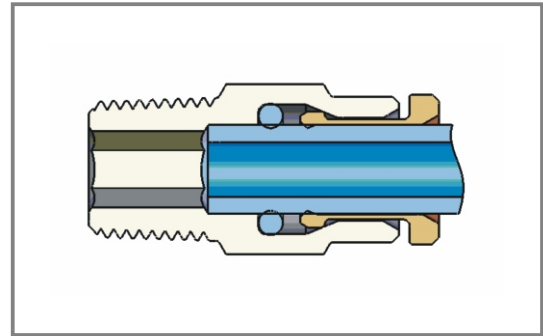
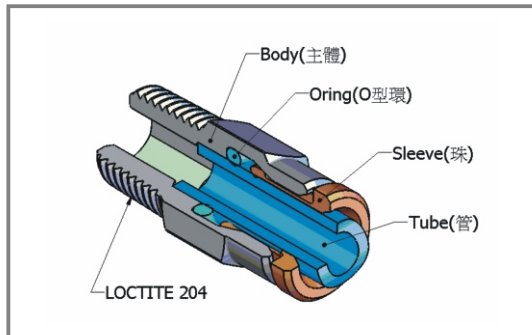


# P Push-In Fittings

**P series**  
Push-In Fittings  
省力型快速接頭系列



## P Push-In Fittings 省力型快速接頭系列



### 特點

應用於氣體、水或化學物質之傳遞。  
大多數使用於尼龍管、PE或PU管等熱塑軟管。  
接件可重複拆裝使用。

### 材質

接頭、卡環均採用黃銅JIS3604材質加工而成。  
彎頭、三通均採用黃銅JIS3771材質鍛造並加工而成。  
所有主體與卡環以電鍍鎳處理。

### 工作溫度

-20°C~ 80°C，

### 工作壓力

根據軟管可使用的壓力而定。

### 組裝步驟

1. 正交的剪切管到所需長度，最大可有15 偏差容忍。
2. 確定主體與配件潔淨無污。
3. 插入軟管至接頭內底端。
4. 輕拉管子，確定管子已完全插定固定。
5. 進行拆卸管子時，只要按住卡環前端，緊握主體，並同時拉開管子，即可拆卸。

### Characteristic

Use for air, water or chemical. Use with thermoplastic tubing, like nylon tubing, PE or PU tubing.  
This fittings can be assembled and disassembled repeatedly.

### Material

Connectors, lock rings are machined from brass JIS3604  
Elbows, tees are forged and machined from brass JIS3771  
All bodies and lock rings are nickel plated.

### Working Temperature

From -4°F~176°F

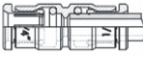

### Working Pressure

Depending on the max.operation pressure of the tubing used.

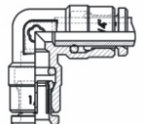
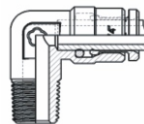
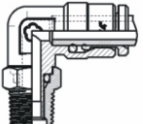
### Assembly Instruction

1. Cut tubing squarely-maximum of 15° angle allowable.
2. Check that the port or mating part is clean and free of debris.
3. Insert tubing into fitting until it bottoms on seat.
4. Pull on tubing to verify it is fully inserted.
5. To disassemble, simply press release button, hold against body, and pull tubing out of fitting.

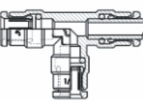
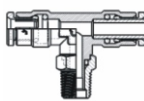
## Adapter

<p><b>P01</b> 由任接頭 Union</p>  <p>Page P 3</p>	<p><b>P03</b> 外牙接頭 Male Connector</p>  <p>Page P 4</p>				
--	---	--	--	--	--

## Elbow

<p><b>P09</b> 由任彎頭 Union Elbow</p>  <p>Page P 8</p>	<p><b>P06</b> 外牙彎頭 Male Elbow</p>  <p>Page P 5</p>	<p><b>PS06</b> 外牙旋轉彎頭 Male Swivel Elbow</p>  <p>Page P 6</p>			
--	---	---	--	--	--

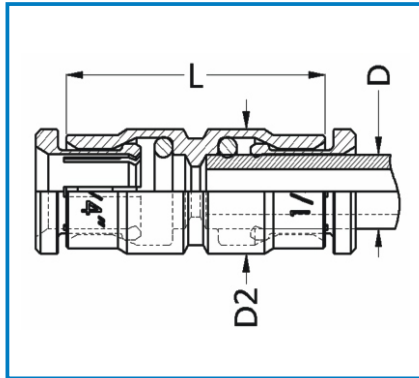
## Tee

<p><b>P02</b> 由任三通 Union Tee</p>  <p>Page P 3</p>	<p><b>PS08</b> 牙中旋轉三通 Branch Swivel Tee</p>  <p>Page P 7</p>				
--	---	--	--	--	--

<b>A / E</b>	Pipe Fittings
<b>A / E</b>	Hose Barb
<b>H</b>	45° Flared
<b>S</b>	Compression
<b>S B</b>	Bite Type
<b>N</b>	Fast-In Fittings
<b>N F</b>	Ferrule Quick
<b>P</b>	Push-In Fittings
<b>V</b>	Valves

## P01

由任接頭 Union

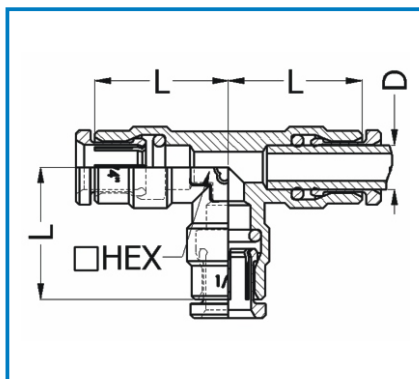


產品編號	適用管徑 D	L	D2
PART NO.	TubeSize D		
P01-C04	4	28.5	9
P01-C06	6	31.5	11.5
P01-C25	8	33.5	13
P01-C10	10	39	16.5
P01-C12	12	45.5	19.5

產品編號	適用管徑 D	L	D2
PART NO.	TubeSize D		
P01-C2	1/4	31.5	11.5
P01-C25	5/16	33.5	13
P01-C3	3/8	39	16.5
P01-C4	1/2	45.5	19.5

## P02

由任三通 Union Tee



產品編號	適用管徑 D	L	HEX
PART NO.	TubeSize D		
P02-T06	6	19.5	10.5
P02-T25	8	20.5	12
P02-T10	10	24.5	14
P02-T12	12	28	17

產品編號	適用管徑 D	L	HEX
PART NO.	TubeSize D		
P02-T2	1/4	19.5	10.5
P02-T25	5/16	20.5	12
P02-T3	3/8	24.5	14
P02-T4	1/2	28	17

A/E  
Pipe Fittings

A/E  
Hose Barb

H  
45° Flared

S  
Compression

S/B  
Bite Type

N  
Fast-In Fittings

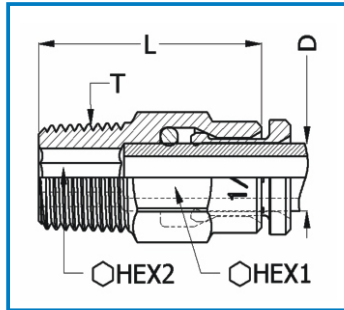
N/F  
Ferrule Quick

P  
Push-In Fittings

V  
Valves

## P03

外牙接頭 Male Connector



產品編號	管牙 T	適用管徑 D	L	HEX1	HEX2
PART NO.	PipeThread T	TubeSize D			
P03-C1004	1/8	4	18.5	10	3
P03-C1006	1/8	6	22.5	11	5
P03-C1025	1/8	8	25	13	5
P03-C1010	1/8	10	28.5	17	5
P03-C2006	1/4	6	23	14	5
P03-C2025	1/4	8	25.5	14	6
P03-C2010	1/4	10	31	17	7
P03-C2012	1/4	12	34	20	7
P03-C3006	3/8	6	23	17	5
P03-C3025	3/8	8	23.5	17	6
P03-C3010	3/8	10	25.5	17	8
P03-C3012	3/8	12	32	20	10
P03-C4025	1/2	8	27.5	21	6
P03-C4010	1/2	10	27.5	21	8
P03-C4012	1/2	12	30.5	21	10

產品編號	管牙 T	適用管徑 D	L	HEX1	HEX2
PART NO.	PipeThread T	TubeSize D			
P03-C102	1/8	1/4	22.5	11	5
P03-C1025	1/8	5/16	25	13	5
P03-C103	1/8	3/8	28.5	17	5
P03-C202	1/4	1/4	23	14	5
P03-C2025	1/4	5/16	25.5	14	6
P03-C203	1/4	3/8	31	17	7
P03-C204	1/4	1/2	34	20	7
P03-C302	3/8	1/4	23	17	5
P03-C3025	3/8	5/16	23.5	17	6
P03-C303	3/8	3/8	25.5	17	8
P03-C304	3/8	1/2	32	20	10
P03-C4025	1/2	5/16	27.5	21	6
P03-C403	1/2	3/8	27.5	21	8
P03-C404	1/2	1/2	30.5	21	10

A/E Pipe Fittings

A/E Hose Barb

H 45° Flared

S Compression

SB Bite Type

N Fast-In Fittings

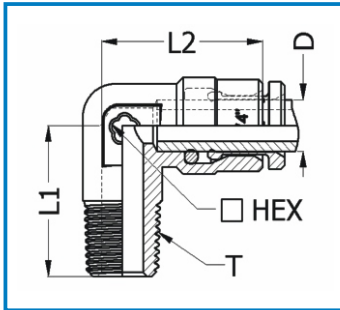
NF Ferrule Quick

P Push-In Fittings

V Valves

## P06

外牙彎頭 Male Elbow



產品編號	管牙 T	適用管徑 D	L1	L2	HEX
PART NO.	PipeThread T	TubeSize D			
P06-L1004	1/8	4	18	18	10.5
P06-L1006	1/8	6	18	19.5	10.5
P06-L1025	1/8	8	18	20.5	12
P06-L1010	1/8	10	20	24.5	14
P06-L2004	1/4	4	20.5	18	12
P06-L2006	1/4	6	20.5	19.5	12
P06-L2025	1/4	8	20.5	20.5	12
P06-L2010	1/4	10	23	24.5	14
P06-L2012	1/4	12	24.5	28	17
P06-L3006	3/8	6	23.5	21	14
P06-L3025	3/8	8	23.5	21	14
P06-L3010	3/8	10	23.5	24.5	14
P06-L3012	3/8	12	24.5	28	17

產品編號	管牙 T	適用管徑 D	L1	L2	HEX
PART NO.	PipeThread T	TubeSize D			
P06-L102	1/8	1/4	18	19.5	10.5
P06-L1025	1/8	5/16	18	20.5	12
P06-L103	1/8	3/8	20	24.5	14
P06-L202	1/4	1/4	20.5	19.5	12
P06-L2025	1/4	5/16	20.5	20.5	12
P06-L203	1/4	3/8	23	24.5	14
P06-L204	1/4	1/2	24.5	28	17
P06-L302	3/8	1/4	23.5	21	14
P06-L3025	3/8	5/16	23.5	21	14
P06-L303	3/8	3/8	23.5	24.5	14
P06-L304	3/8	1/2	24.5	28	17

A/E  
Pipe Fittings

A/E  
Hose Barb

H  
45° Flared

S  
Compression

S/B  
Bite Type

N  
Fast-In Fittings

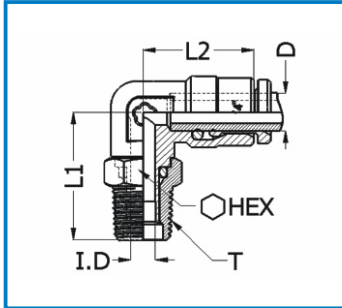
N/F  
Ferrule Quick

P  
Push-In Fittings

V  
Valves

## PS06

外牙旋轉彎頭 Male Swivel Elbow



產品編號	管牙 T	適用管徑 D	L1	L2	HEX	I.D
PART NO.	PipeThread T	TubeSize D				
PS06-L1004	1/8	4	22	16.5	11	2.5
PS06-L1006	1/8	6	22	18.5	11	4
PS06-L1025	1/8	8	22	20.5	12	4
PS06-L1010	1/8	10	24	24.5	14	4
PS06-L2004	1/4	4	25	16.5	14	2.5
PS06-L2006	1/4	6	25	18.5	14	4
PS06-L2025	1/4	8	25	20.5	14	5.5
PS06-L2010	1/4	10	27	24.5	14	5.5
PS06-L2012	1/4	12	28.5	28	17	5.5
PS06-L3006	3/8	6	25	18.5	17	4
PS06-L3025	3/8	8	25	20.5	17	6
PS06-L3010	3/8	10	28	24.5	17	8
PS06-L3012	3/8	12	28.5	28	17	9
PS06-L4006	1/2	6	28.5	18.5	21	4
PS06-L4025	1/2	8	28.5	20.5	21	6
PS06-L4010	1/2	10	31.5	24.5	21	8
PS06-L4012	1/2	12	32	28	21	9

產品編號	管牙 T	適用管徑 D	L1	L2	HEX	I.D
PART NO.	PipeThread T	TubeSize D				
PS06-L102	1/8	1/4	22	18.5	11	4
PS06-L1025	1/8	5/16	22	20.5	12	4
PS06-L103	1/8	3/8	24	24.5	14	4
PS06-L202	1/4	1/4	25	18.5	14	4
PS06-L2025	1/4	5/16	25	20.5	14	5.5
PS06-L203	1/4	3/8	27	24.5	14	5.5
PS06-L204	1/4	1/2	28.5	28	17	5.5
PS06-L302	3/8	1/4	25	18.5	17	4
PS06-L3025	3/8	5/16	25	20.5	17	6
PS06-L303	3/8	3/8	28	24.5	17	8
PS06-L304	3/8	1/2	28.5	28	17	9
PS06-L402	1/2	1/4	28.5	18.5	21	4
PS06-L4025	1/2	5/16	28.5	20.5	21	6
PS06-L403	1/2	3/8	31.5	24.5	21	8
PS06-L404	1/2	1/2	32	28	21	9

A/E  
Pipe Fittings

A/E  
Hose Barb

H  
45° Flared

S  
Compression

S/B  
Bite Type

N  
Fast-In Fittings

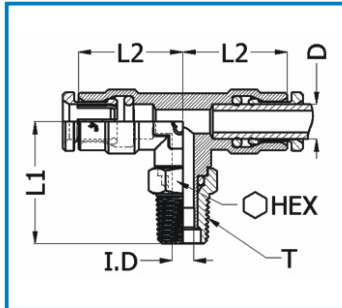
N/F  
Ferrule Quick

P  
Push-In Fittings

V  
Valves

## PS08

牙中旋轉三通 Branch Swivel Tee



產品編號	管牙 T	適用管徑 D	L1	L2	HEX	I.D
PART NO.	PipeThread T	TubeSize D				
PS08-T1004	1/8	4	22	17.5	11	2.5
PS08-T1006	1/8	6	22	19.5	11	4
PS08-T1025	1/8	8	22	20.5	12	4
PS08-T1010	1/8	10	24	24.5	14	4
PS08-T2006	1/4	6	25	19.5	14	4
PS08-T2025	1/4	8	25	20.5	14	5.5
PS08-T2010	1/4	10	27	24.5	14	5.5
PS08-T2012	1/4	12	28.5	28	17	5.5
PS08-T3006	3/8	6	25	19.5	17	4
PS08-T3025	3/8	8	25	20.5	17	6
PS08-T3010	3/8	10	28	24.5	17	8
PS08-T3012	3/8	12	28.5	28	17	9
PS08-T4006	1/2	6	28.5	19.5	21	4
PS08-T4025	1/2	8	28.5	20.5	21	6
PS08-T4010	1/2	10	31.5	24.5	21	8
PS08-T4012	1/2	12	32	28	21	9

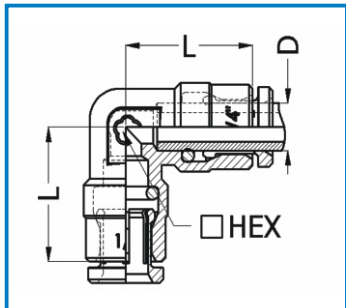
產品編號	管牙 T	適用管徑 D	L1	L2	HEX	I.D
PART NO.	PipeThread T	TubeSize D				
PS08-T102	1/8	1/4	22	19.5	11	4
PS08-T1025	1/8	5/16	22	20.5	12	4
PS08-T103	1/8	3/8	24	24.5	14	4
PS08-T202	1/4	1/4	25	19.5	14	4
PS08-T2025	1/4	5/16	25	20.5	14	5.5
PS08-T203	1/4	3/8	27	24.5	14	5.5
PS08-T204	1/4	1/2	28.5	28	17	5.5
PS08-T302	3/8	1/4	25	19.5	17	4
PS08-T3025	3/8	5/16	25	20.5	17	6
PS08-T303	3/8	3/8	28	24.5	17	8
PS08-T304	3/8	1/2	28.5	28	17	9
PS08-T402	1/2	1/4	28.5	19.5	21	4
PS08-T4025	1/2	5/16	28.5	20.5	21	6
PS08-T403	1/2	3/8	31.5	24.5	21	8
PS08-T404	1/2	1/2	32	28	21	9

A/E Pipe Fittings  
A/E Hose Barb  
H 45° Flared  
S Compression  
S B Bite Type  
N Fast-In Fittings  
N F Ferrule Quick  
P Push-In Fittings  
V Valves



## P09

由任彎頭 Union Elbow



產品編號	適用管徑 D	L	HEX
PART NO.	TubeSize D		
P09-L06	6	19.5	10.5
P09-L25	8	20.5	12
P09-L10	10	24.5	14
P09-L12	12	28	17

產品編號	適用管徑 D	L	HEX
PART NO.	TubeSize D		
P09-L2	1/4	19.5	10.5
P09-L25	5/16	20.5	12
P09-L3	3/8	24.5	14
P09-L4	1/2	28	17

A/E  
Pipe Fittings

A/E  
Hose Barb

H  
45° Flared

S  
Compression

S/B  
Bite Type

N  
Fast-In Fittings

N/F  
Ferrule Quick

P  
Push-In Fittings

V  
Valves